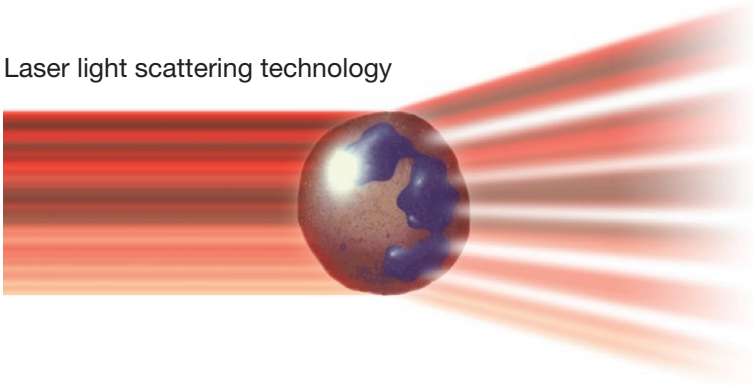


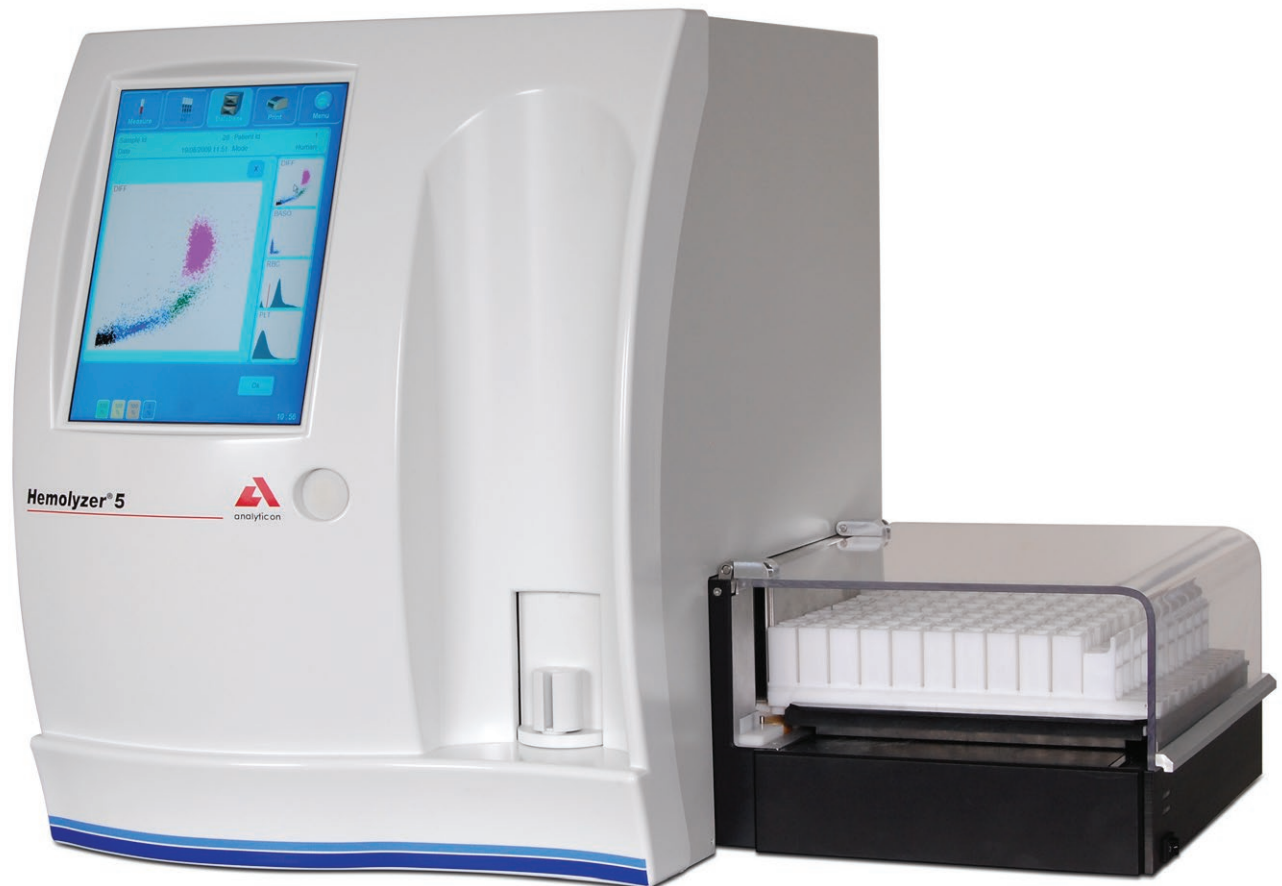
Hemolyzer[®] 5



Laser light scattering technology



The advanced
solution in
5-part differential
hematology



agile - affordable - accurate

Hemolyzer[®] 5

The instrument uses well established methods such as impedance and photometric measurements as well as an innovative optical measurement (laser-based scattering technology) in order to guarantee a precise and accurate 26 parameter complete blood count profile including 5-part WBC differential results. The autoloader unit enables a walk-away automation of closed tube sampling, including cap-recognition and cap-piercing, with a capacity of 100 vials at a throughput of 60 samples per hour.

Reliable and accurate

- Results are displayed with 2 histograms and 2 scattergrams
- More than 100,000 results, including histograms, are stored in the database
- Improved diagnostic flagging system
- Full quality control management system including Levey-Jennings diagrams
- Closed and open tube sampling is supported; closed tube sampling with cap-piercing and cap-recognition mechanism
- A separate case study book with a collection of clinically relevant cases and their systematical evaluation demonstrates the correct and most efficient use of the analyzer



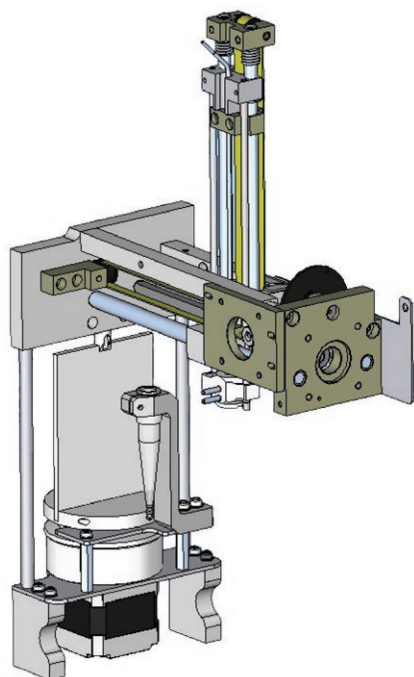
Easy-to-use and agile

- The Hemolyzer[®] 5 features smart software on a large color touchscreen which is intuitive, easy-to-use and straightforward
- Automatic monitoring of reagent status
- Robust system requiring minimal laboratory space and minimal maintenance
- 4 USB ports; Windows[®] compatible printers are supported
- Addition of Autoloader unit is possible at any time and will be automatically recognized by the software. Integrated barcode reader eliminates data entry error and enables rapid data processing

Efficient and affordable

- Intelligent and solid design provides maximum value at low running costs
- Throughput of 60 samples per hour (STAT & Rack mode)
- STAT measurement can be started anytime by pushing the start button on the front panel with minimal interruption of routine workflow
- Walk-away automation using the autoloader with a capacity of 100 vials
- Uses only 3 reagents (cyanide-free)
- Reduced daily maintenance improves routine efficiency
- Long-lifetime laser diode ensuring optimal performance using a high-tech flow cuvette

Small Sample Module



Following a strong market demand, Analyticon is pleased to announce the optional feature for your Hemolyzer[®] 5 analyzers – the Small Sample Module (SSM).

With this module only 25 µl of venous blood is aspirated to perform a 5-part differential count as opposed to the 110 µl required for a standard test and it only requires a total sample volume of 250 µl in an appropriate sample collection tube.

The SSM can be used in the open vial mode only and it does take a little longer to perform the analysis as compared to a sample test conducted in the normal mode (80 sec. vs. 60 sec.).

The SSM can be factory installed. If required, this option should be confirmed when placing any new orders for your Hemolyzer[®] 5. Alternatively, it can be installed by an approved service engineer to any existing Hemolyzer[®] 5.

- Aspirated sample only 25 µl (standard 110 µl)
- Automatic internal sample pre-dilution before measurement
- Validated for use with 3 tube types-BD Microtainer MAP, Sarstedt-Monovette and vacu-tainer
- Provides precise results on diluted samples
- Similar measurement principles as standard venous blood method
- SSM module can easily be added to analyzers in the field
- Minimal additional maintenance required

Specifications

Type	5-part hematology analyzer (optional with autoloader)
Measurement technology	Laser light scatter technology for 5-part WBC differential Impedance method and LED based photometry
Parameters	26 parameters: WBC, LYM, MON, NEU, EOS, BAS, LYM%, MON%, NEU%, EOS%, BAS%, RBC, HCT, MCV, RDW-CV, RDW-SD, HGB, MCH, MCHC, PLT, PCT, MPV, PDW-CV, PWD-SD and research parameters: P-LCC + P-LCR
Throughput	60 tests/hour
Data storage	100,000 results including histograms and scattergrams
Display	10.4" LCD touchscreen
Interfaces	RS232, USB, Ethernet
Dimensions	410 x 465 x 515 mm (WxDxH)
Weight	35 kg / with autoloader 49 kg
Power supply	100-120 VAC / 200-240 VAC
Operating environment	Temperature: +15°C to +30°C Relative humidity (non-condensing): 20% to 80%
Printer	External; Windows compatible printers
Barcode reader	External / With autoloader built-in
Protocols	HL7
Features	<ul style="list-style-type: none"> - 2 chambers, aperture diameter: 70 µm (RBC/PLT) and 80 µm (WBC) - Sample volume: 110 µl (open/closed, whole blood) - Sampling method: Closed ("cap piercing") and open tube sampling - QC Management: Levey-Jennings Charts - User Management: Multi-user mode - Languages: German, English, Spanish, French, Hungarian, Polish, Russian, Italian, Greek, Turkish, Croatian - Autoloader: 100 tubes – 10 racks with 10 tube capacity, built-in barcode reader, built-in sample mixer, cap-recognition (only tubes with caps are mixed and processed)

Hemolyzer[®] 5, Art.-No.: HE5000 Autoloader, Art.-No.: HE0500

Consumables

All reagents are cyanide-free and have extended shelf life.

Reagents	Name	Art.-No.	Pack Size
Isotonic Diluent	Hemolyzer-Diluent	HE3201	20 L
Hemolysing Agent	Hemolyzer-5-Lyser	HE5101	5 L
Hemolysing Stopper Agent	Hemolyzer-5-Diff 5P	HE5201	1 L
Consumables	Name	Art.-No.	Pack Size
Control	Hemolyzer-5-Control Set (3 Level)	HE5502	2 x 3 x 3 ml
Control	Hemolyzer-5-Normal (Level N)	HE5503	6 x 3 ml
Cleaner (external)	Hemolyzer-Hypocleaner cleaning solution	HE3401	100 ml

Distributor information



Analyticon Biotechnologies AG

Am Muehlenberg 10
35104 Lichtenfels - Germany
Phone: +49 6454 7991-0
info@analyticon-diagnostics.com
www.analyticon-diagnostics.com